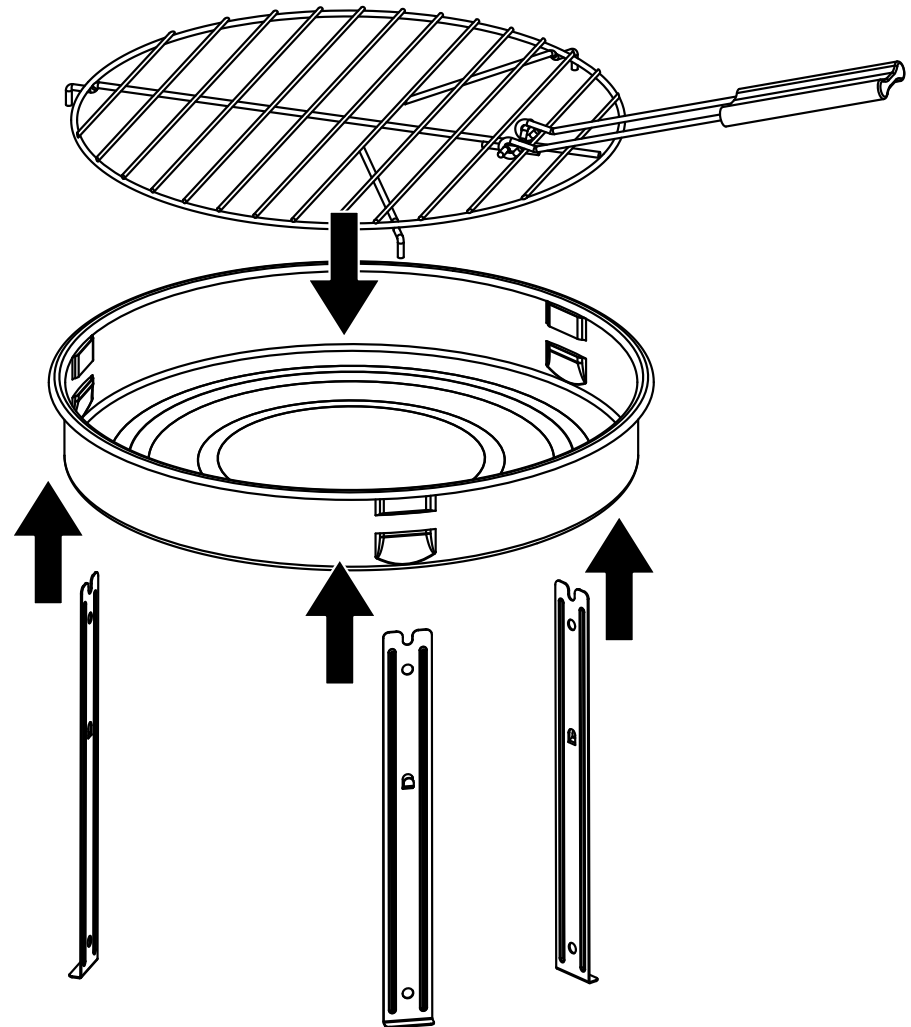


MR. BAR-B-Q[®]

Premium

⚠ WARNING

- ▲ **For Outdoor Use Only** (outside any enclosure)
- ▲ This grill is for outdoor use only, and should not be used in a building, garage or any other enclosed area.
- ▲ Do NOT operate, light or use this appliance within ten feet (3.05 m) of walls, structures or buildings.
- ▲ This grill is NOT intended for and should never be used as a heater. TOXIC fumes can accumulate and cause asphyxiation.
- ▲ Do NOT use grill for indoor cooking. TOXIC carbon monoxide fumes can accumulate and cause asphyxiation.
- ▲ Do NOT use gasoline, kerosene or alcohol for lighting.
- ▲ Never touch grates, ashes or coals to see if they are hot.
- ▲ Do NOT use on wooden decks, wooden furniture or other combustible surfaces.
- ▲ Do NOT use in or on boats or recreational vehicles.
- ▲ Position grill so wind cannot carry ashes to combustible surfaces.
- ▲ Do NOT use in high winds.
- ▲ Do NOT leave a lit grill unattended, especially keep children and pets away from grill at all times.
- ▲ Do NOT attempt to move grill when in use. Allow the grill to cool before moving or storing.
- ▲ Always place your grill on a hard, non-combustible, level surface. An asphalt or blacktop surface may not be acceptable for this purpose.
- ▲ Do NOT remove the ashes until they are completely and fully extinguished.
- ▲ Live hot briquettes and coals can create a fire hazard.
- ▲ Death, serious injury or damage to property may occur if the above is not followed exactly.



Manufactured in China for:
Blue Rhino Global Sourcing, Inc.
Winston-Salem, NC 27105 USA
1.800.762.1142 • BlueRhino.com
© Blue Rhino Global Sourcing, Inc.
CBT1601C-E-UC-C-F100